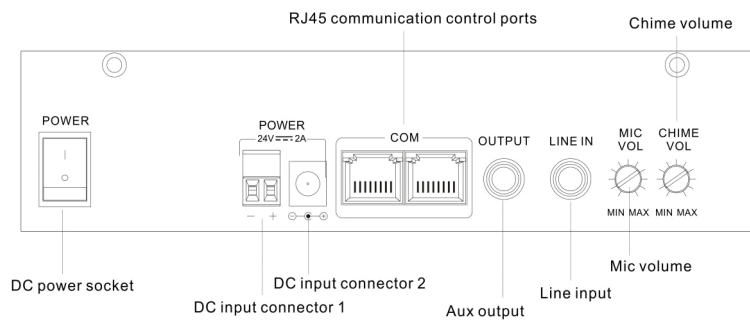




Zone Paging MIC

T-218(A)



Description:

1. Professional remote paging microphone, which can broadcast in different areas or in the whole area.
2. It is installed in the main control room, duty room or leader's office, and used with the tenth area pager.

Features:

- *Desktop design, black aluminum oxide drawing panel, exquisite and beautiful, exquisite technology, full of modern feeling.
- *LCD and zone indicator light display the working status of each zone, 16 number keys and function keys, easy to operate.
- *With bell and volume adjustment.
- * It can page 30 zones and connect 10 zone pager to 300 zones.
- * 1 MIC and independent volume adjustment; one auxiliary line input; one audio auxiliary output, external expansion of active speaker.
- * It can be expanded to 16 remote call microphones T-218 (A) for paging broadcast, with a max connection distance of 1km.

Specifications:

Model	T-218(A)
Power Supply	DC 24V
Power Consumption	10W
Communication Protocol	RS-422
Communication Interface	RJ45
Communication Rate	4800bps
Dimensions	220×143×52mm
Weight	2.04Kg